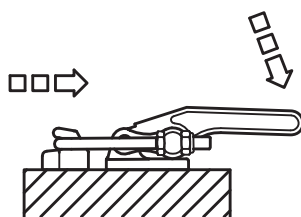
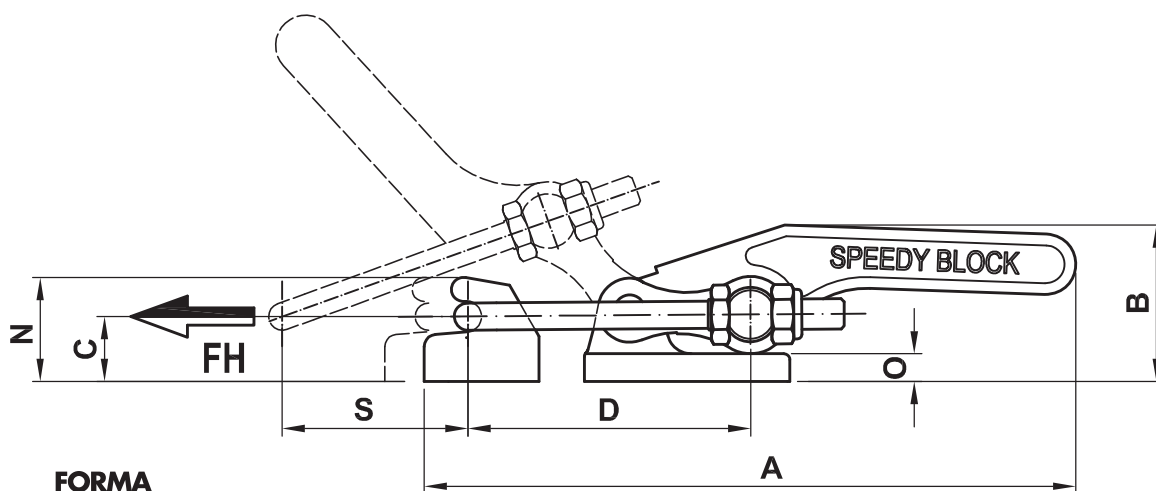


# SERIE A TIRANTE PESANTE SALDABILE HEAVY LATCH SERIES WELDABLE

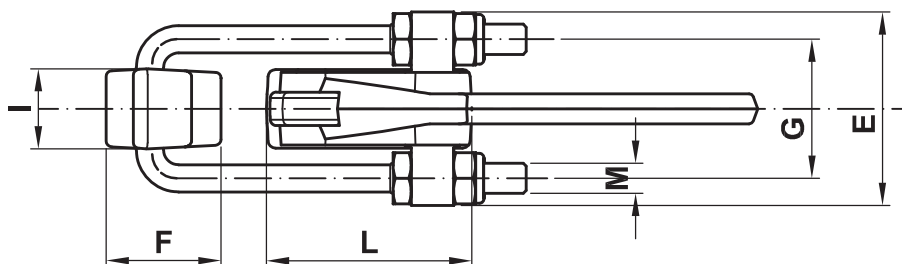


**ANCHE IN ACCIAIO INOX** (Vedi tabella)

**IN STAINLESS STEEL AS WELL** (See below)



**FORMA  
T2S  
FORM**



|          | INOX      | A   | B  | C  | D       | E  | F  | G  | I    | L  | M   | N    | O    | S  | Fh<br>(daN) | FhX<br>(daN) | gr.  |
|----------|-----------|-----|----|----|---------|----|----|----|------|----|-----|------|------|----|-------------|--------------|------|
| 1400/T2S | 1400/T2SX | 216 | 52 | 21 | 93÷105  | 64 | 38 | 46 | 26,5 | 68 | M10 | 34,5 | 9,2  | 63 | 1700        | 1400         | 930  |
| 2800/T2S | 2800/T2SX | 257 | 65 | 27 | 102÷123 | 80 | 50 | 55 | 32   | 80 | M12 | 43   | 12,7 | 78 | 4000        | 3000         | 1708 |